



# EM 1308

Elite Midrange,  
 Ø 130mm, Ø 2.1" soft dome, 8Ω



## SPECIFICATIONS

### General Data

Overall Dimensions	<b>DxH</b>	130mm(5.11")x80mm(3.14")
Nominal Power Handling (DIN)	<b>P</b>	200W
Transient Power 10ms		1000W
Sensitivity 2.83V/1M		88 dB SPL
Frequency Response		See graph
Dome Material		Acuflex™ hand coated soft dome
Net Weight	<b>Kg</b>	0.518

### Electrical Data

Nominal Impedance	<b>Z</b>	8Ω
DC Resistance	<b>Re</b>	6.2Ω
Voice Coil Inductance @ 1KHz	<b>LBM</b>	0.20mH

### Voice Coil and Magnet Parameters

Voice Coil Diameter	<b>DIA</b>	54mm
Voice Coil Height		6mm
HE Magnetic Gap Height	<b>HE</b>	4mm
Max. Linear Excursion	<b>X</b>	±1mm
Voice Coil Former		Aluminum
Voice Coil Wire		Hexatech™ Aluminum
Number Of Layers		2
Magnet System Type		Neodymium Vented
B Flux Density	<b>B</b>	0.90 T
BL Product	<b>BXL</b>	5.2 N.A

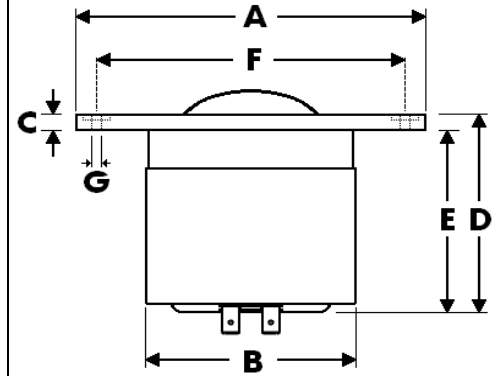
### T-S Parameters

Suspension Compliance	<b>Cms</b>	
Mechanical Q Factor	<b>Qms</b>	0.9
Electrical Q Factor	<b>Qes</b>	1.01
Total Q Factor	<b>Qts</b>	0.47
Mechanical Resistance	<b>Rms</b>	
Moving Mass	<b>Mms</b>	3 g
Eq. Cas Air Load (liters)	<b>VAS</b>	
Resonant Frequency	<b>Fs</b>	320 Hz
Effective Piston Area	<b>SD</b>	28 cm <sup>2</sup>

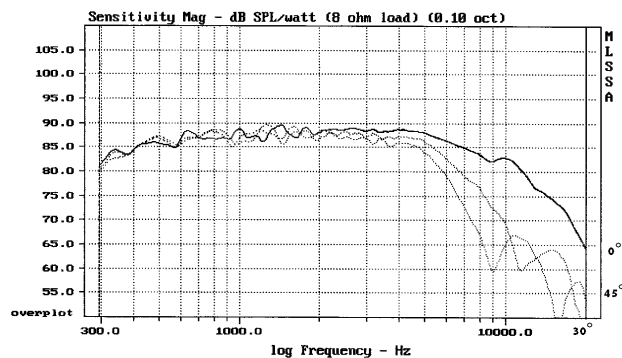
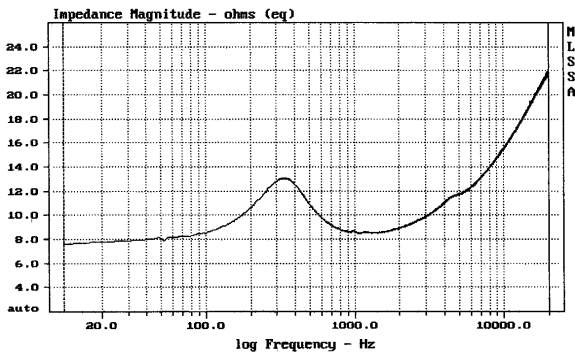
### FEATURES

- \* 130mm IDR™ Improved Dispersion Recess
- Aluminum face plate
- \* 2.1" Acuflex™ hand coated soft dome
- \* 2.1" Large Hexatech™ Aluminum voice coil
- \* Internally damped, Aluminum rear chamber
- \* Wide range linear performance
- \* Low resonance point \* High power handling

### Unit Dimensions



- A** - Overall diameter 130mm
- B** - Cut out diameter 76mm
- C** - Flange thickness 5mm
- D** - Overall height 80mm
- E** - Magnet/Chamber depth 75mm
- F** - Mounting holes location diameter 118mm
- G** - 6 Mounting holes, at 60° interval, inner hole diameter Ø 3.7mm, pocket h 1.5mm, Ø 8mm



Measured on IEC baffle using Bruel & Kjaer 3144 model microphone.

Morel operate policy of continuous product design improvement, consequently specifications are subject to alteration without prior notice.